

Artificial Turf Cleaner SKU 2100 / 1500 Professionell

Artificial turf cleaner SKU for sand filled, kork or granule filled artificial turf
There are three different processes that can be done with this machine due to its big brush diameter of 500 mm.

1. Maintenance Clearing:

Depending on weather every two to four weeks.

Coarse soiling and accumulated dust as well as abrasion is removed.

2. Intensive cleaning with loosening:

Atout every 3 months.

Coarse soiling is removed, fine particles like dust, plant rests and abrasion is filtered, filling is loosened, elasticity and drainage effect is maintained.

Work width 5 / 6,9 feet.

Tractor power minimum 30 /35 HP Rear drive shaft propulsion 540 rpm

Necessary lifting power 1000 / 1200 Lbs





Filled artificial turf is influenced by the environment from the first day on. Dust, pollen, rests of plants and abrasion material are washed by rain into the fine cavities of the filling. The result of this process is a total hardened surface with no longer water permeability. The covering infill- traded with particles of humus causes the ideal breeding ground for algae and moss. An artificial turf that got dirty like that can no longer meet its purpose. It exists an extreme danger of slipping and with that a not calculable accident risk. Only with constant maintenance and care a filled artificial turf can keep permanently its favorable quality and can be used effectively for many years.

For an effective care it is necessary to pick up the filling material off the turf pile in regular inter- vals. Coarse soilings are to be sieved and fine dust filtered. The bent turf fibers shall be reset upright and the filling material brought back to the turf fibers for stabilization. The surface shall show an even sight after treatment.

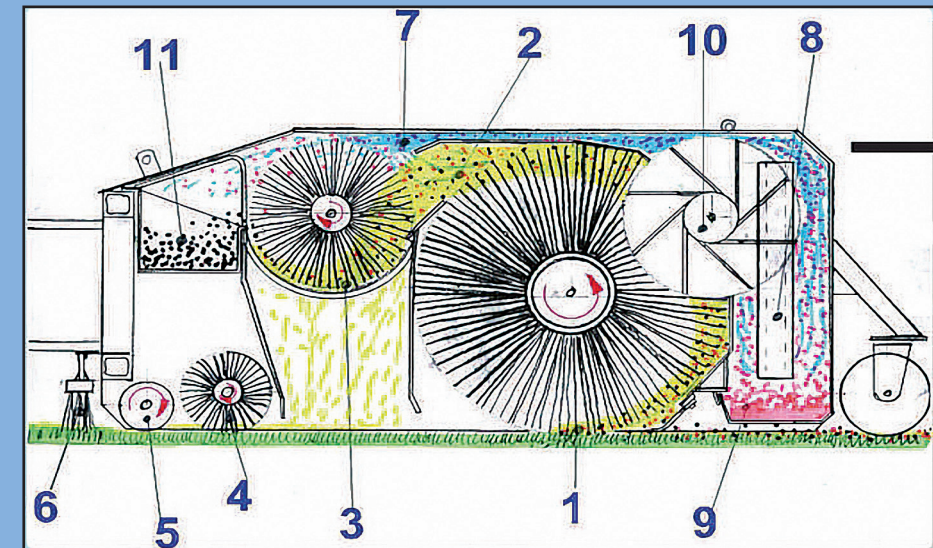
To be able to work reliable and inex- pensive we developed our artificial turf cleaner SKU as an assembling unit for compact tractors.

The SKU is available in a working width of 5 feet (SKU 1500) and 6,9 feet (SKU 2100)

The SKU is absolutely easy to handle because there is just the depth that is adjustable and the machine works really deep with an exciting result.

Functioning SKU

The cleaning unit is a compact unit. All construction parts are fitted in one unit which can be assembled within seconds to the rear lifting on usual compact tractors. The drive is given by the rear drive shaft. Transport shall only be effected with lifted cleaning unit.



1. The soiled filling, sand, rubber granules or a mixture of both is picked up from the turf pile by means of a rotating brush.
2. The soiled filling is carried to the cleaning. Dust is divided from the filling. The cyclone effect prevents that filling infiltrates the filter range.
3. The filling is carried over a replaceable sieve, coarse soilings like e.g. crown cork, ice handles, shards of glass, stones, cigarette ends, foliage etc. are sieved from the filling. The filling falls back to the turf pile. Sieves can be obtained in different hole widths.
4. The bent artificial turf fibers are set upright by a brush roller which works depending on drive speed.
5. The support roll drives the brush roller.
6. An adjustable broom strip smoothes the surface.
7. Fine soilings and dust particles are divided from filling by cyclone effect and carried to the suction channel.
8. The filter consists of two filter bags which can easily be withdrawn. The filter bags are made of a special fleece with an arithmetical active surface of up to approx. 10 m². The filter bags are available in different pore size qualities.
9. The bottom of the filter room can easily be opened so that the space can be cleaned with little effort and if necessary also be rinsed.
10. The exhaust fan causes the necessary vacuum for drawing off the dusty air and separating dirt into the filter bags.
11. The sieved dirt like e.g. crown corks, ice handles, shards of glass, stones, cigarette ends, foliage etc. are collected into a dirt box which can easily be emptied.